

FGP 750/M-EL

FGP 1000/M-EL

FGP 1300/M-EL

FGP 1500/M-EL

FGP 1800/M-EL



Burners for light oil two stages progressive or PID fully modulating with the addition of the optional system modulation kit plus feeder. Fan at high pressurisation, combustion head with adjustment at high efficiency and high flame stability. Disposition rationalized of the components with accessibility facilitated for the operations of setting and maintenance. Complete of gasket for installation on boiler, industrial nozzle with return, flexible pipes, line filter.

Available versions with mechanical or electric camme.

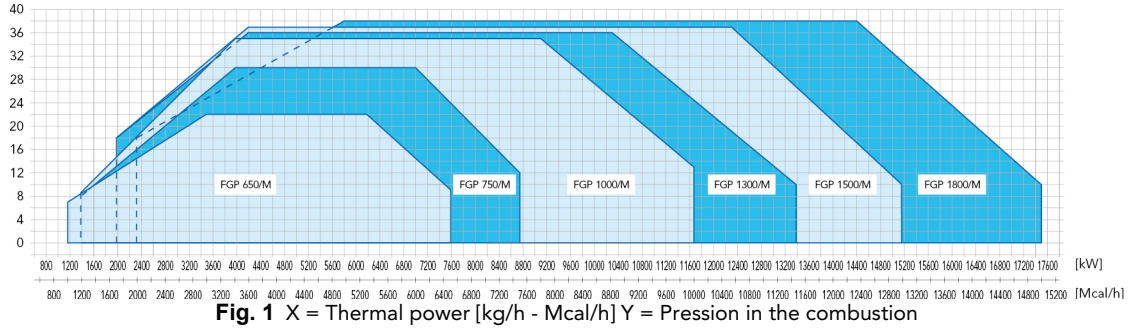
TECHNICAL DATA

MODEL		FGP 750/M EL	FGP 1000/M EL	FGP 1300/M EL	FGP 1500/M EL	FGP 1800/M EL
Flow 1°st./min 2°st.-max 2°st.*	[kg/h]	120/340-750	120/340-1000	100/353-1127	100-353-1274	142/490-1471
Thermal power 1°st./min 2°st.-max 2°st.*	[Mcal/h]	1200/3400-7500	1200/3400-10000	1020/3600-11500	1020/3600-13000	1416/5000-15000
Thermal power 1°st./min 2°st.-max 2°st.*	[kW]	1395/3953-8721	1395/3953-11628	1160/4189-13372	1160/4186-15116	1647/5814/17442
Fuel		Light oil 1.5°E a 20°C = 6.2 cSt = 35 sec Redwood N°1				
Intermitted working operation (min. 1 stop every 24 hours) modulating						
Environmental conditions operation/storage		-15...+40°C / -20...+70°C , humidity max. 80%				
Max temperature combustion air	[°C]	60	60	60	60	60
Nominal electric power	[kW]	27	35	41.5	49.5	61
Motor fan	[kW]	22	30	37	45	55
Motor pump	[kW]	4.5	4.5	4	4	5.5
Power supply		3~400V-1/N~230V-50Hz				
Degree of electric protection		IP54	IP54	IP54	IP54	IP54
Noisiness ** min-max	[dB(A)]	84-88	86-92	90-93	92-95	94-98

\* Reference conditions: Environment temperature 20°C - Barometric pressure 1013 mbars - Altitude 0 metre (sea level)

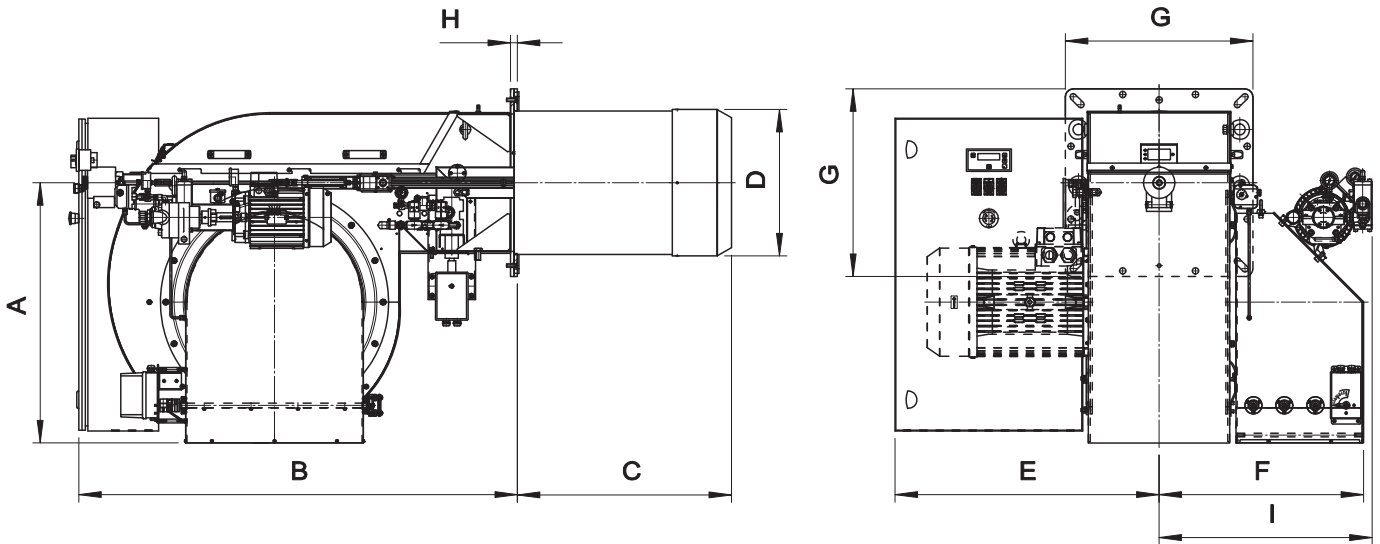
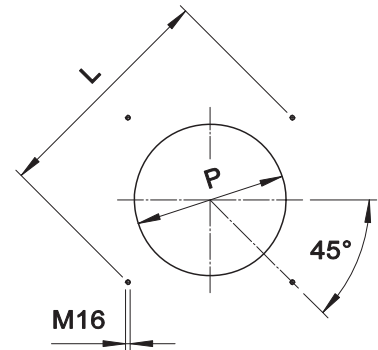
\*\* Measured sonorous pressure in the laboratory combustion, with functional burner on beta boiler to 1 metre of distance (UNI EN ISO 3746 law)

FIRING RATES



The firing rates has been obtained based on test boilers in accordance with EN267 standards and are indicative of matching the burner to the boiler. For the correct operation of the burner bruciatore, combustion chamber dimensions must be in accordance with current regulation. In case of non-compliance, contact the manufacturer.

DIMENSIONS [MM]



MODEL	A	B	C	D	E	F	G	H	I	L min	L* max	P min	P max
FGP 750/M EL	832	1403	685	448	845	654	600	22	674	707	778	460	540
FGP 1000/M EL	832	1403	685	468	845	654	600	22	674	707	778	480	540
	832	1403	655	500	845	654	600	22	674	707	778	520	540
	832	1403	655	500	845	654	600	22	674	707	778	520	540
	945	1550	685	540	880	664	700	22	664	806	890	550	630

\* Suggested dimension of connection between burner and generator

The illustrations and data here shown are indicative. F.B.R. Bruciatori S.r.l. reserves the right to bring, without any obligation of warning, any changes that would be appropriate to the continuing development of their products.



**F.B.R. Bruciatori S.r.l.**

Via V. Veneto, 152 \_ 37050 Angiari (VR) \_ Italy  
Tel. +39 0442 97000 \_ Fax + 39 0442 97299  
www. fbr.it \_ email: fbr@fbr.it

**Представительство в Украине:**

**ООО "ИТАЛГАЗ"**

07400, г. Бровары, ул. Ярослава Мудрого, 90, оф.39  
тел: (04594) 7-26-62/63 т/ф: (04594) 7-26-66  
www.italgaz.com.ua e-mail: office@italgaz.com.ua