

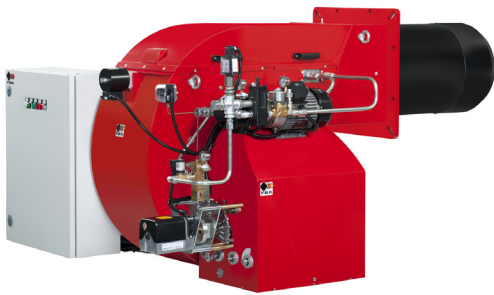
FGP 750/M-MEC

FGP 1000/M-MEC

FGP 1300/M-MEC

FGP 1500/M-MEC

FGP 1800/M-MEC

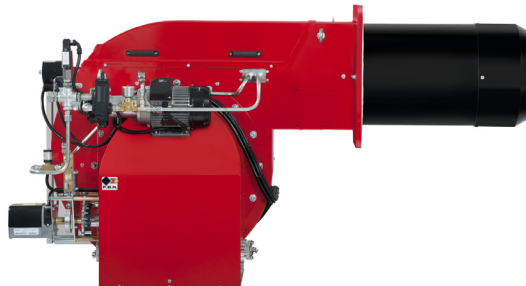


Burners for light oil two stages progressive or PID fully modulating with the addition of the optional system modulation kit plus feeder. Fan at high pressurisation, combustion head with adjustment at high efficiency and high flame stability.

Disposition rationalized of the components with accessibility facilitated for the operations of setting and maintenance.

Complete of gasket for installation on boiler, industrial nozzle with return, flexible pipes, line filter.

Available versions with mechanical or electric cam.





TECHNICAL DATA

| MODEL | | FGP 750/M- MEC | FGP 1000/ M-MEC | FGP 1300/ M-MEC | FGP 1500/ M-MEC | FGP 1800/ M-MEC |
|---|----------|---|--------------------|--------------------|--------------------|--------------------|
| Flow 1°st./min 2°st.-max 2°st.* | [kg/h] | 120/340-750 | 120/340-1000 | 100/353-1127 | 100/353-1274 | 142/490-1471 |
| Thermal power 1°st./min 2°st.-max 2°st.* | [Mcal/h] | 1200/3400-7500 | 1200/3400-10000 | 1020/3600-11500 | 1020/3600-13000 | 1416/5000-15000 |
| Thermal power 1°st./min 2°st.-max 2°st.* | [kW] | 1395/3953-8721 | 1395/3953-11628 | 1160/4186-13372 | 1160/4186-15116 | 1647/5814-17442 |
| Fuel | | Light oil 1.5°E a 20°C = 6.2 cSt = 35 sec Redwood N°1 | | | | |
| Intermitted working operation (min. 1 stop every 24 hours) modulating | | | | | | |
| Environmental conditions operation/storage | | -15...+40°C / -20...+70°C , humidity max. 80% | | | | |
| Max temperature combustion air | [°C] | 60 | 60 | 60 | 60 | 60 |
| Nominal electric power | [kW] | 27 | 35 | 41.5 | 49.5 | 61 |
| Motor fan | [kW] | 22 | 30 | 37 | 45 | 55 |
| Motor pump | [kW] | 4.5 | 4.5 | 4 | 4 | 5.5 |
| Power supply | | 3~400V-1/N~230V-50Hz | | | | |
| Degree of electric protection | | IP54 | IP54 | IP54 | IP54 | IP54 |
| Noisiness ** min-max | [dB(A)] | 84-88 | 86-92 | 90-93 | 92-95 | 94-98 |

* Reference conditions: Environment temperature 20°C - Barometric pressure 1013 mbars - Altitude 0 metre (sea level)

** Measured sonorous pressure in the laboratory combustion, with functional burner on beta boiler to 1 metre of distance (UNI EN ISO 3746 law)

FIRING RATES

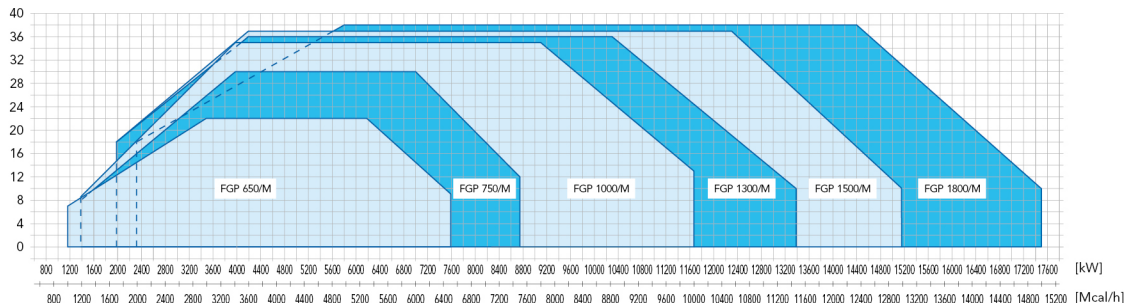
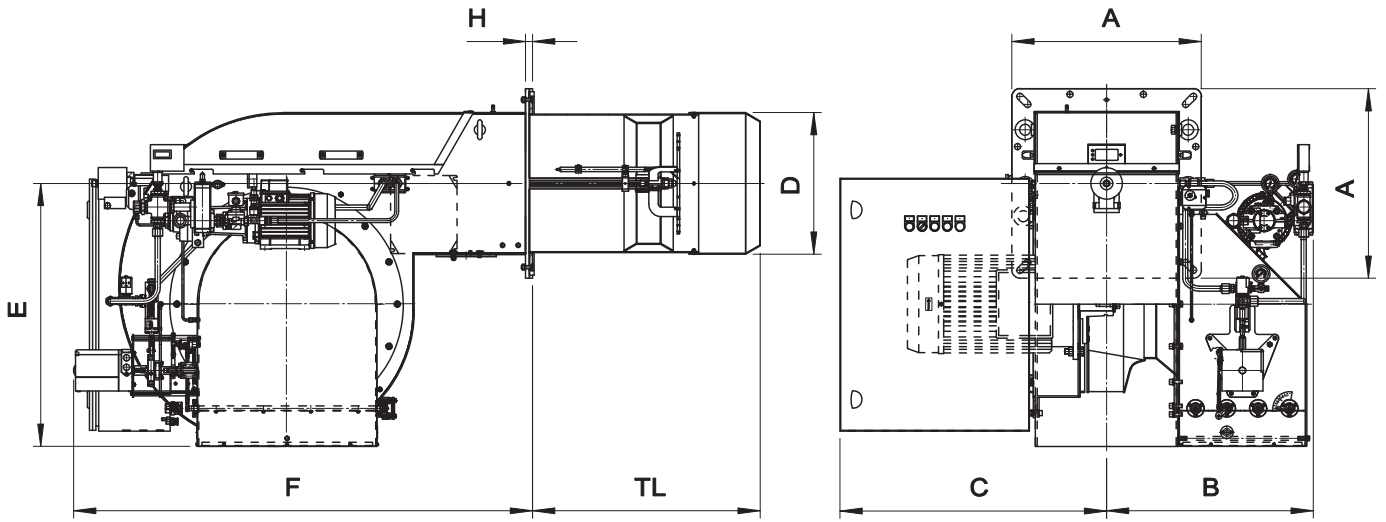
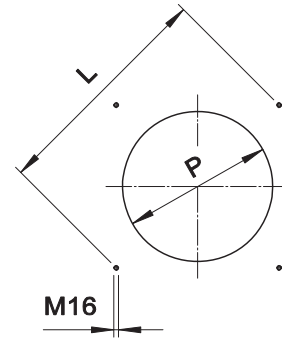


Fig. 1 X = Thermal power [kg/h - Mcal/h] Y = Pression in the combustion

The firing rates has been obtained based on test boilers in accordance with EN267 standards and are indicative of matching the burner to the boiler. For the correct operation of the burner bruciatore, combustion chamber dimensions must be in accordance with current regulation. In case of non-compliance, contact the manufacturer.

DIMENSIONS [MM]



| MODEL | A | B | C | D | E | F | H | TL | P min | P max | L min | L* max |
|----------------|-----|-----|-----|-----|-----|------|----|-----|-------|-------|-------|--------|
| FGP 750/M-MEC | 600 | 654 | 845 | 448 | 832 | 1453 | 22 | 685 | 460 | 540 | 707 | 778 |
| FGP 1000/M-MEC | 600 | 654 | 845 | 468 | 832 | 1453 | 22 | 685 | 480 | 540 | 707 | 778 |
| FGP 1300/M-MEC | 600 | 654 | 845 | 500 | 832 | 1453 | 22 | 655 | 520 | 540 | 707 | 778 |
| FGP 1500/M-MEC | 600 | 654 | 845 | 500 | 832 | 1453 | 22 | 655 | 520 | 540 | 707 | 778 |
| FGP 1800/M-MEC | 700 | 664 | 880 | 540 | 945 | 1560 | 22 | 685 | 550 | 630 | 806 | 890 |

* Suggested dimension of connection between burner and generator
 N.B. M=18 for FGP 1800/M-MEC

The illustrations and data here shown are indicative. F.B.R. Bruciatori S.r.l. reserves the right to bring, without any obligation of warning, any changes that would be appropriate to the continuing development of their products.



F.B.R. Bruciatori S.r.l.

Via V. Veneto, 152 _ 37050 Angiari (VR) _ Italy
Tel. +39 0442 97000 _ Fax + 39 0442 97299
www. fbr.it _ email: fbr@fbr.it

Представительство в Украине:

ООО "ИТАЛГАЗ"

07400, г. Бровары, ул. Ярослава Мудрого, 90, оф.39
тел: (04594) 7-26-62/63 т/ф: (04594) 7-26-66
www.italgaz.com.ua e-mail: office@italgaz.com.ua