

DESCRIPTION

Solenoid valve 2 way normally closed
with servo-assisted diaphragm pneumatically operated

CONSTRUCTION

Body and cover Brass
Seal material NBR - FPM - EPDM

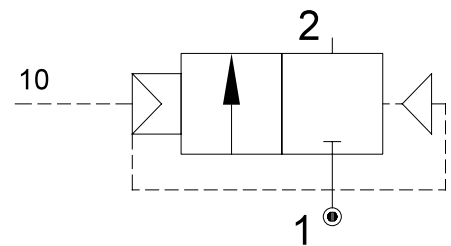


FEATURES

Minimum differential pressure 0.15 bar
Maximum allowable pressure PS 25bar^②
Maximum fluid viscosity 25cSt (mm²/s)
Universal mounting position

4

OPTIONS: Electroless nickel plating
Versions with slow-closing diaphragm
Versions for vacuum application (air/gases)
Versions for use with oxygen



REMARK

To pilot the valve use a series 105 solenoid valve (Es.105AB15)

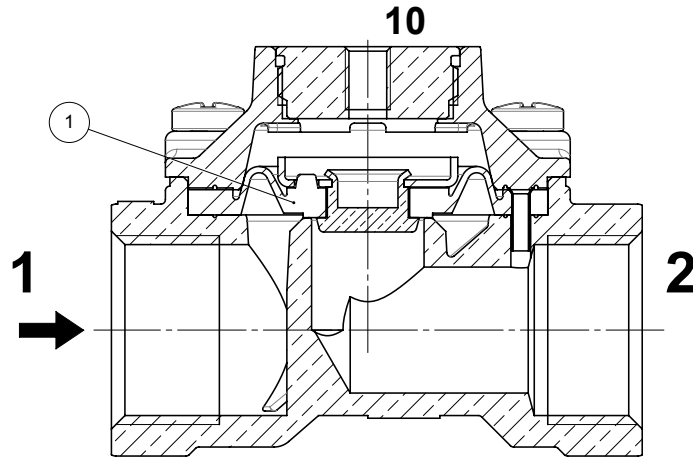
CODE ①	Connection G ISO 228	Orifice mm	Kv m ³ /h	Max differential pressure bar		Seal ①	Temperature °C
				Min	Max		
P107C...12	3/8	12	2.2	0.15	15	NBR=B EPDM=E FPM=V	-10 +90 -10 +140 -10 +140
P107D...12	1/2	12	2.5	0.15	15		
P107E...18	3/4	18	5.5	0.15	13		
P107F...25	1	25	10.2	0.15	10		

① Seal Example: P107DB12 NBR seal , G1/2

② **REMARK**
The maximum allowable pressure PS for steam 2,5bar (gauge pressure)

SPARE PARTS LIST

1. Diaphragm assembly



OVERALL DIMENSIONS

CONNECTION (e)	a	b	c	d	Weight Kg
G3/8	59	31.5	14	45	0.35
G1/2	59	31.5	14	45	0.35
G3/4	79	38.9	17.5	54	0.6
G1	96	45.2	20	72	1.05

