



VS

Pressure relief valve

VS

Pressure relief valve

Contents

Description	2
Features	2
Functioning and application	3
Technical specifications	4
Flow capacity	5
Ordering information	5
Standards and approvals	5

Description

The VS type is a pressure relief valve designed to reduce temporary pressure surge in burning appliances. The shutting-off of automatic valves or non-tightly closing of regulators can cause pressure increase; by releasing that overpressure in a relief line, RV valve enables the system to work properly again.

Features

Valves is made of aluminum alloy die-cast.

They are equipped with adjustable spring, so that relief pressure can be precisely set up on site.

Pipe connections meet group 2.

RV valves are designed for high relief flow.

Suitable for use with air and non-aggressive gases included in the 1, 2 and 3 families (EN 437). Special versions for aggressive gases (like biogas or COG) are free of non-ferrous metals and provided with rubber part made of FKM (J version).

Provided with pressure test points on two sides in the inlet chamber to connect manometers, pressure switches or other gas equipments.

All components are designed to withstand any mechanical, chemical and thermal condition occurring during typical service. Effective impregnation and surface treatments are used to improve mechanical sturdiness, sealing and resistance to corrosion of components.

Valves are 100% tested and fully warranted.

Functioning and application

In a relief valve inlet pressure acts on one side of a diaphragm, while on the other side there is a spring. Diaphragm is connected to the disc: when force of inlet pressure is higher than spring force, diaphragm moves and disc opens releasing gas in relief line. After discharging pressure surge, inlet pressure gets lower and disc closes again. Relief pressure can be set operating on the spring.

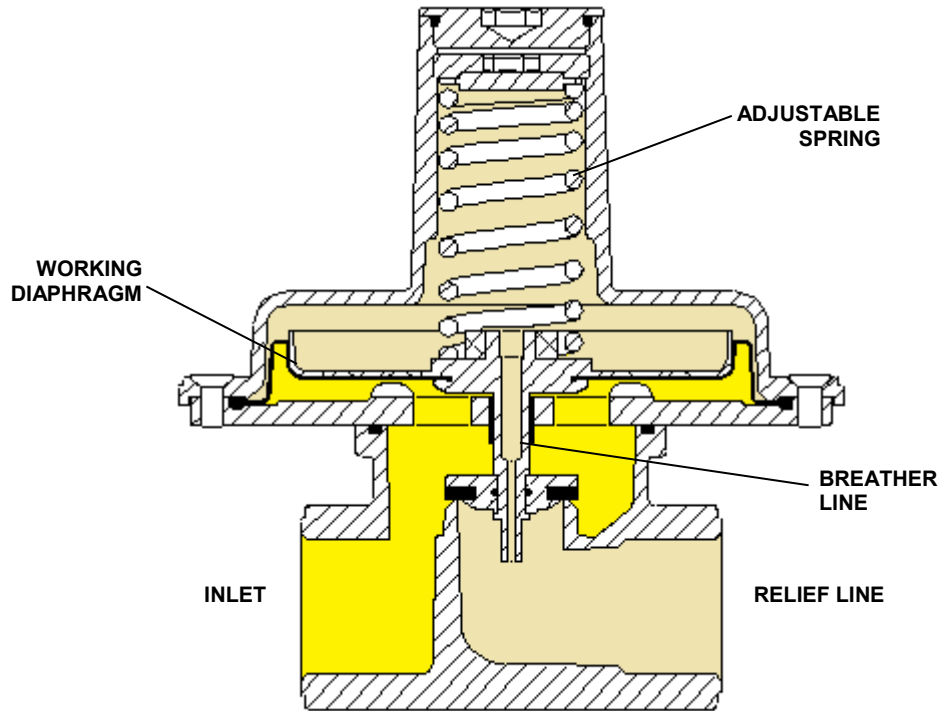


Fig.1

This device is usually installed in gas trains, industrial applications and gas firing systems. Figure 2 shows an example of installation in combination with other Elektrogas devices.

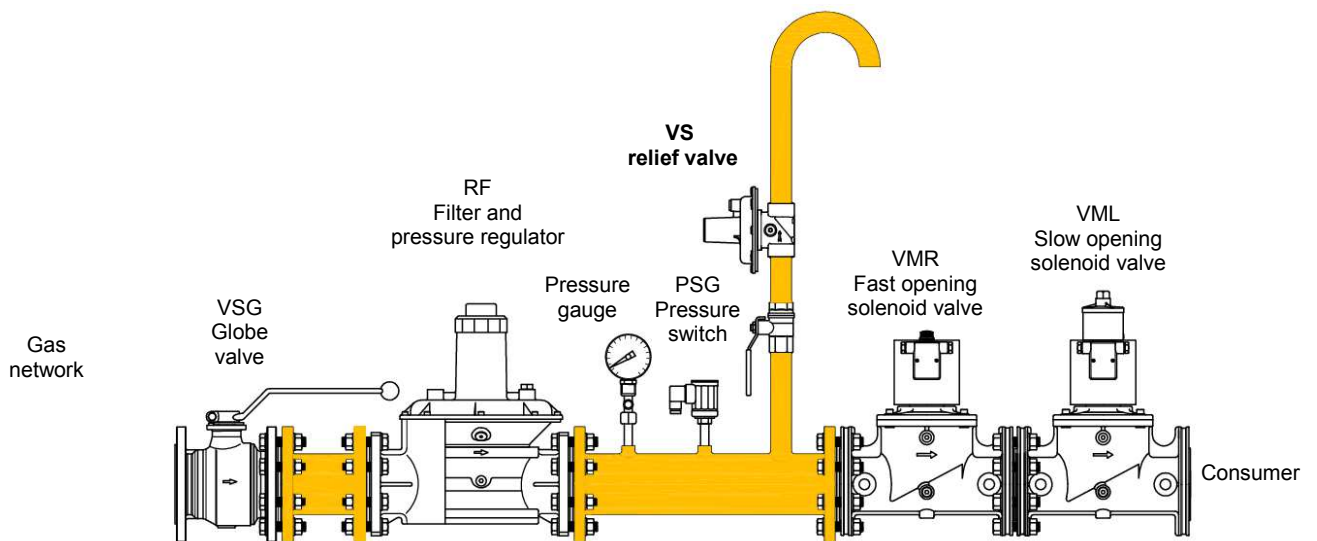


Fig.2

Technical specifications

Tab. 1

Connections	Gas threaded F/F ISO 7-1	Rp3/4 or Rp1			
Ambient temperature	-20°C ... +60°C				
Inlet - relief pressure	Inlet pressure max 3 bar				
	Spring color	Neutral	Orange	Blue	Black
	Relief pressure (mbar)	45 - 150	110 - 190	150 - 450	400 - 1200
Discharge capacity	see charts				
Installation	Horizontal (with settable spring upward) or vertical pipeline.				
Gas type	Air, natural gas, town gas, LPG (gaseous) of families 1,2,3 (EN437). On request special version for biologically produced methane and COG.				
Weight (Kg)	1.3Kg				
Materials in contact with gas	Aluminum alloy Brass Stainless steel Plated steel Polyamide Anaerobic adhesive Nitrile rubber (NBR) Fluoro elastomer (FPM) Polytetrafluoroethylene (PTFE)				

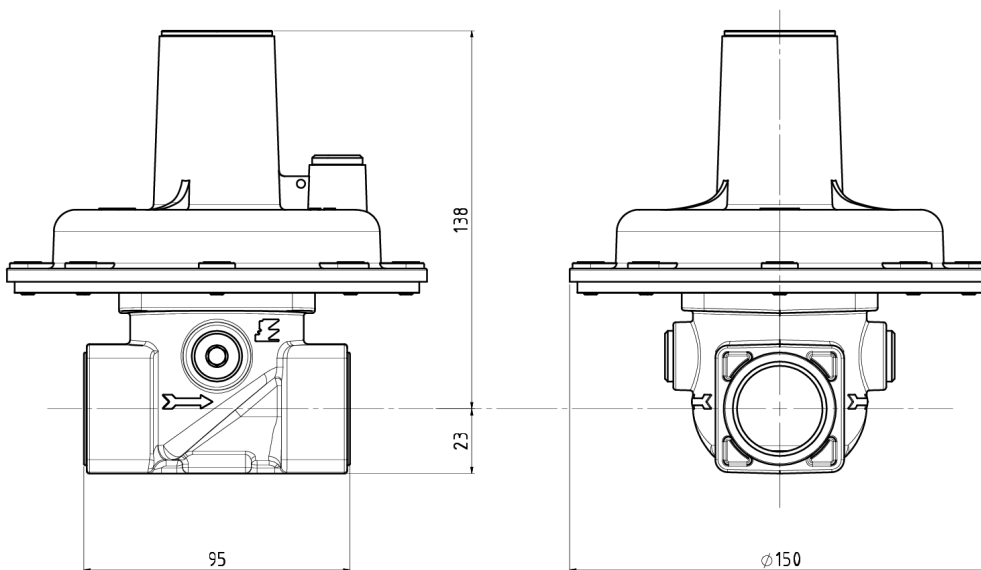
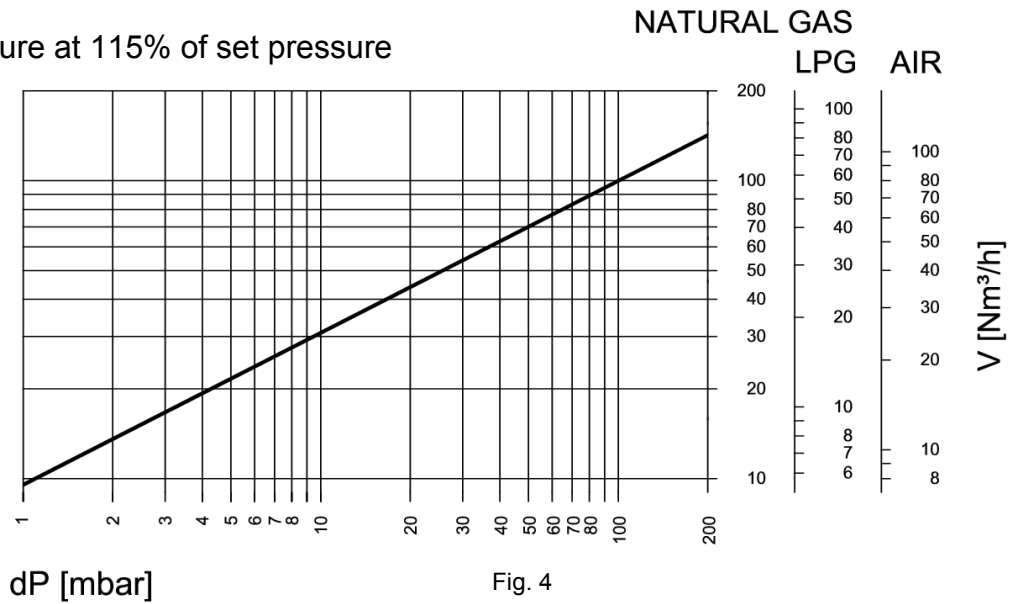


Fig.3

Flow capacity

with inlet pressure at 115% of set pressure



Ordering information

Tab. 2

	VS	3	B	.	-
Valve type VS = relief valve					
Connections size 2 = Rp3/4 3 = Rp1					
Relief range pressure A1 50-150 mbar A2 110-190 mbar B 150-450 mbar C 400-1200 mbar					
Special version - standard .J = version for bio and coke gas					

Standards and approvals

The valves are designed and manufactured according to European Directive on Pressure Equipment 2014/68/EU. The certification is in progress.

Quality Management System is certified according to UNI EN ISO 9001 and the monitoring is carried out by the notified body Kiwa Cermet Italia Spa, Reg.-n° 11989-A

