

DESCRIPTION

Solenoid valve 2 way normally closed in stainless steel AISI 316 direct acting poppet type

CONSTRUCTION

Body	AISI 316
Armature tube	AISI 316
Plunger and core	AISI 430FR
Shading ring	Silver
Springs	AISI 316
Seal material	NBR - FPM - EPDM

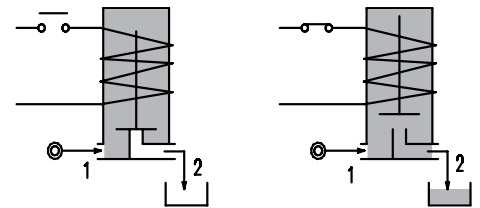
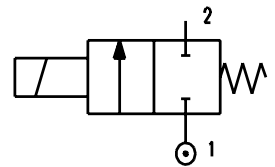


2

FEATURES

- Maximum allowable pressure PS 50bar^③
- Maximum fluid viscosity 25cSt (mm²/s)
- Ambient temperature: from -10°C to +80°C according to the coil
- Universal mounting position

- OPTIONS:** Stainless steel armature tube
 Series 7 explosion proof coil according to ATEX - EExmII
 Versions for use with industrial oxygen
 c US certified coils



ON REQUEST: Versions for use with fluid temperature at -40°C

CODE ① ②	Connection G ISO 228	Orifice mm	Kv m ³ /h	Differential pressure bar			Nominal power			Coil		Seal ①	Temp. range °C
				Min	Max		AC Inrush	VA Holding	DC Watt	Series	Width		
E171A...12///...	1/8"	1.2	0.04	0	25	25	12	8	6.5	3	22	NBR=B	-10 +90
E171A...15///...		1.5	0.06	0	16	16							
E171A...20///...		2	0.09	0	12	10							
E171A...25///...		2.5	0.14	0	8	5.5							
E171A...31///...		3.1	0.19	0	5	2							
E171A...20///...	1/8"	2	0.09	0	25	15	15	11	5	4	30	FPM=V	-10 +140
E171A...25///...		2.5	0.14	0	16	8							
E171A...31///...		3.1	0.19	0	8	4							

① Seal
 ② Coil
 Example: E171AB20///30B NBR seal
 Coil 24V 50/60Hz

③ REMARK

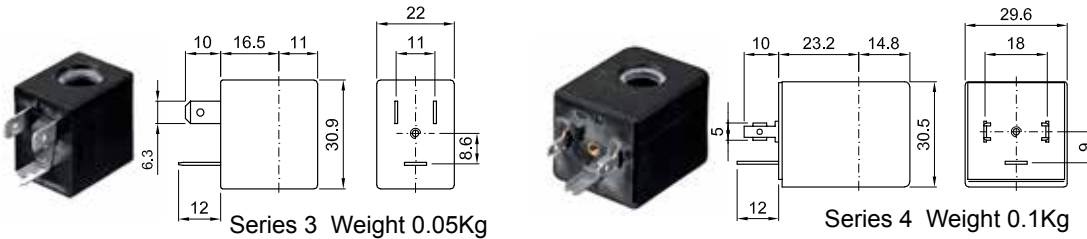
The maximum allowable pressure PS for steam 2,5bar (gauge pressure)

COILS	Alternating Current 50/60Hz (V)							Direct Current (V)			Electrical connection	Connectors
	12	24	48	110	220 230	240	380	12	24	48		
Series 3 Width 22 Code ②	30A	30B	30C	30D	30E	30F	30G	300	301	302	DIN 46244	PG9 code 10348000
Series 4 Width 30 Code ②	40A	40B	40C	40D	40E	40F	40G	400	401	402	DIN 43650A	PG9 code 10349000

DESCRIPTION
 Class F insulation
 Voltage tolerance
 AC +15% -10%
 DC ± 10%
 Protection class
 IP65 with connector fitted
 IP00 without connector
 Continuous service ED100%

OPTIONS
 Class H insulation
 Cable attached
 Special coil voltage
 Special coil powers
 US certified coils

(for more details see section 8)

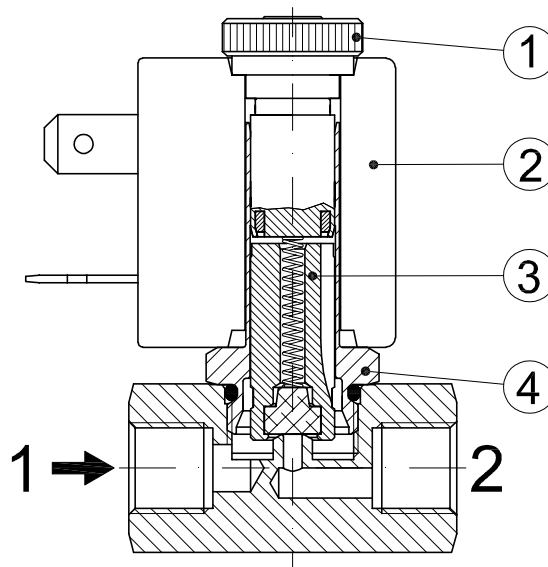


Series 3 Weight 0.05Kg

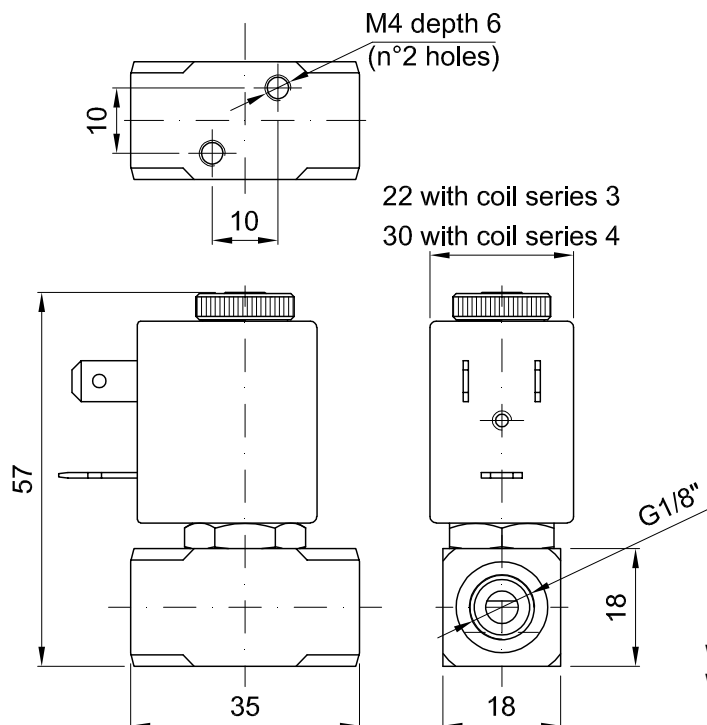
Series 4 Weight 0.1Kg

SPARE PARTS LIST

1. Coil fixing nut
2. Coil
3. Plunger
4. Armature tube assembly



OVERALL DIMENSION



Weight with coil series 3=0.15Kg
 Weight with coil series 4=0.20Kg