

DESCRIPTION

Solenoid valve 3 way normally closed in stainless steel AISI 316 direct acting poppet type.

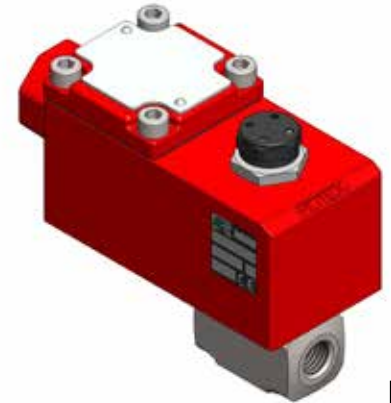
With explosion proof coil certified for hazardous area:

ATEX II 2GDEx d IIC T6 o T5 o T4 Gb

Ex tb IIIIC T80°C o T95°C o T130°C Db IP66

Tamb -40°C ÷ +35°C(T6) o +50°C(T5) o +60°C(T4)

(other certifications e.g.. EAC, INMETRO, CCOE etc. on request)



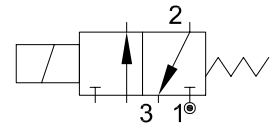
3

VALVE CONSTRUCTION

| | |
|------------------|------------|
| Body | AISI 316 |
| Armature tube | AISI 316 |
| Plunger and core | AISI 430FR |
| Springs | AISI 316 |
| Seal material | FPM |

EXPLOSION PROOF COIL CONSTRUCTION

| | |
|-----------------------|--|
| Housing | Red colour alloy (painted with epoxy powder) |
| Electrical connection | 1/2" NPT (M20x1 on request) |



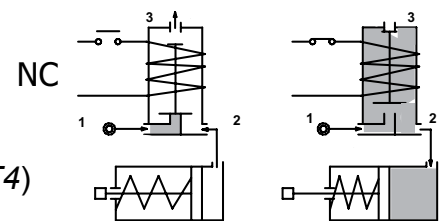
FEATURES

Maximum allowable pressure PS 80bar^③

Maximum fluid viscosity 25cSt (mm²/s)

Ambient temperature: -40°C ÷ +35°C(T6), +50°C(T5), +60°C(T4)

Mounting position with vertical coil above



NOTE: The solenoid valve is suitable only with media that are **NOT** potentially explosive

| CODE ① ② | Connection G ISO 228 | Orifice mm | | Kv m ³ /h | Differential pressure bar | | | Nominal power | | Coil Series | Seal ① | Temp. range °C |
|------------------|----------------------------|---------------|-----|-------------------------|------------------------------|-----|----|---------------|----|----------------|-----------|----------------------|
| | | 1→2 | 2→3 | | Min | Max | | AC | DC | | | |
| A370B...15///... | 1/4" | 1.5 | 2.4 | 0.07 | 0 | 16 | 16 | 12 VA | 8W | A6 | FPM=V | -10 +80 |
| A370B...20///... | | 2 | 2.4 | 0.11 | 0 | 13 | 13 | | | | | |
| A370B...25///... | | 2.5 | 2.4 | 0.16 | 0 | 10 | 10 | | | | | |

① Seal

② Coil

Example: A370BV15///A6B FPM seal

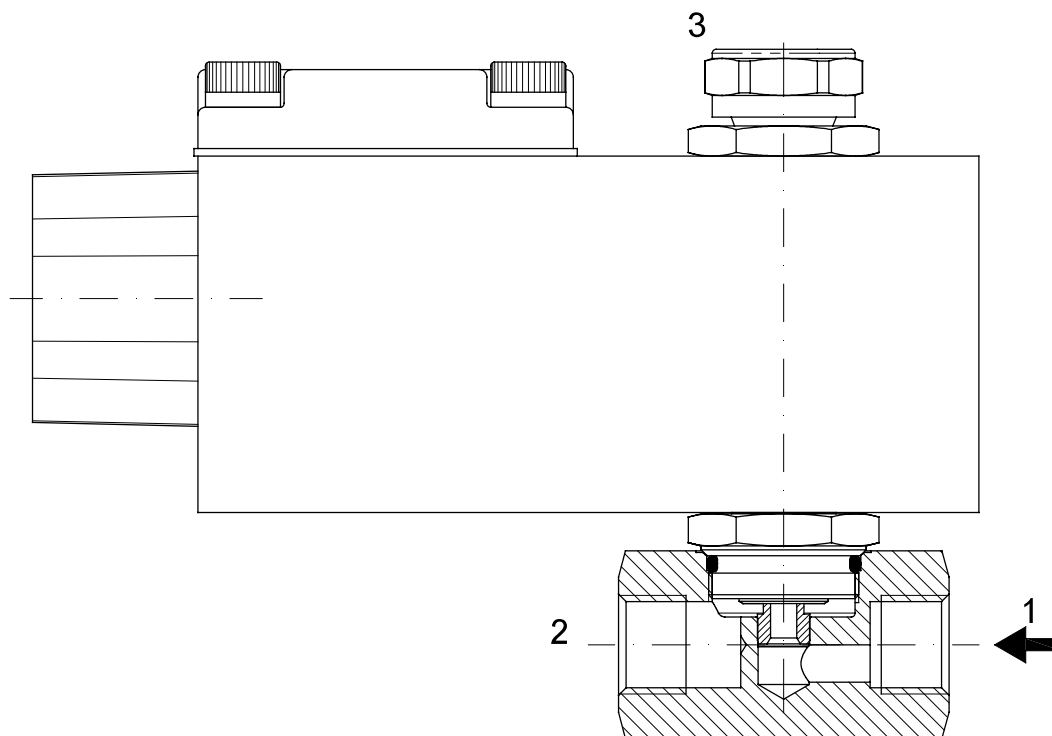
Coil 24V 50/60Hz

③ REMARK

The maximum allowable pressure PS for steam 2,5bar (gauge pressure)

| COIL ② | Alternating Current 50/60Hz (V) | | | | Direct Current (V) | | | Electrical connection |
|-----------|------------------------------------|-----|-----|------------|-----------------------|-----|-----|--------------------------|
| | 24 | 48 | 110 | 220 230 | 12 | 24 | 48 | |
| Series A6 | A6B | A6C | A6D | A6E | A60 | A61 | A62 | 1/2" NPT |

DESCRIPTION
 Voltage tolerance
 AC +15% -10%
 DC ± 10%
 Protection class IP66
 Continuous service ED100%



OVERALL DIMENSION

