

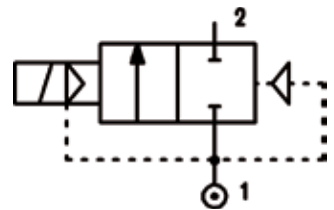
DESCRIPTION

Solenoid valve 2 way normally closed with servo-assisted piston suitable for air and water. Its requested a minimum differential pressure of 0.7 bar.



COSTRUCTION

Body and cover	Brass
Armature tube	Stainless steel
Plunger and core	Stainless steel
Piston	Stainless steel
Springs	Stainless steel
Seal material	main seal PTFE other FPM

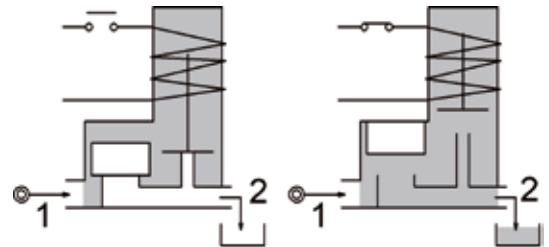


4

FEATURES

- Minimum differential pressure 0.7 bar
- Maximum allowable pressure 200 bar
- Maximum fluid viscosity 12cSt (mm²/s)
- Ambient temperature: with class F coil -10°C +55°C
with class H coil -10°C +80°C
- Preferred mounting position with vertical coil above

OPTIONS: Electroless nickel plating
c us certified coils



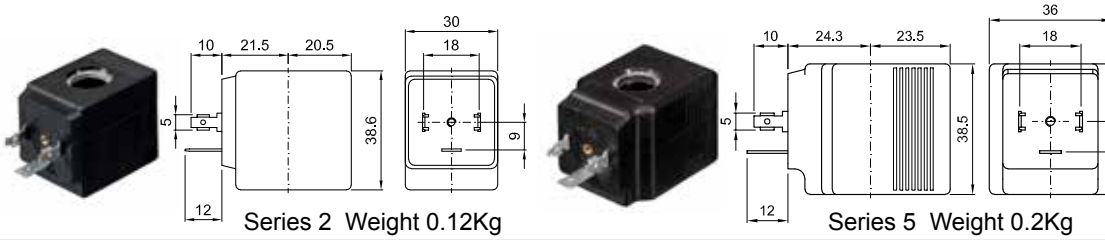
CODE ②	Connection G ISO 228	Orifice mm	Kv l/min	Differential pressure bar			Nominal power			Coil		Seal	Temperature range °C
				Min	Max		AC Inrush	VA Holding	DC Watt	Series	Width		
					AC	DC							
E123CW07///...	3/8"	7	14	0.7	100	80	20	15	10	2	30	PTFE=W	-10 +95
					150	150	40	30	27	5	36		

② Coil Example: E123CW07///20E PTFE seal
Coil 220-230V 50-60Hz

COILS	Alternating Current 50/60Hz Volt							Direct Current Volt			Electrical connection	Connectors
	12	24	48	110	220 230	240	380	12	24	48		
Series 2 Width 30 Code ②	20A	20B	20C	20D	20E	20F	20G	200	201	202	DIN 43650A	PG9 code 10349000
Series 5 Width 36 Code ②	52A	52B	52C	52D	52E	52F	52G	520	521	522	DIN 43650A	PG11 code 10349001

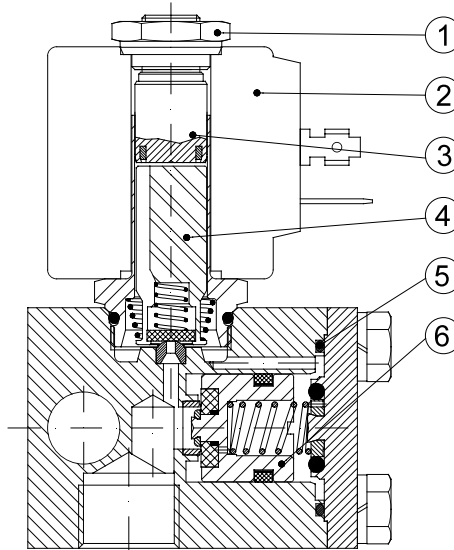
DESCRIPTION
 Insulation class
 Series 2 =F Series 5=H
 Voltage tolerance
 AC +15% -10%
 DC ± 10%
 Protection class
 IP65 with connector fitted
 IP00 without connector
 Continuous service ED100%

OPTIONS
 Class H insulation (series 2)
 Cable attached
 Special coil voltage
 Special coil powers
 US certified coils



SPARE PARTS LIST

1. Coil fixing nut
2. Coil
3. Armature tube assembly
4. Plunger assembly
5. Piston assembly
6. OR
7. OR



OVERALL DIMENSION

