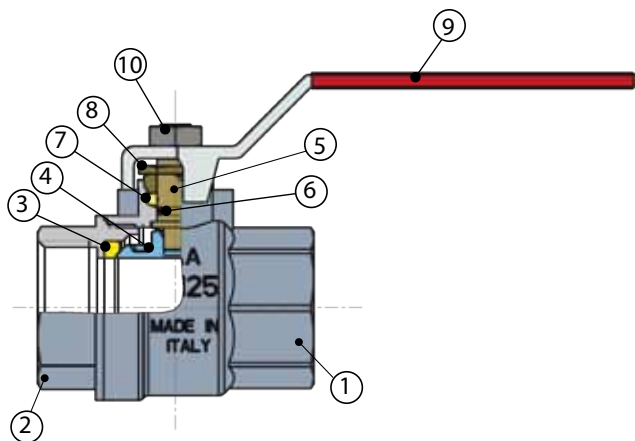


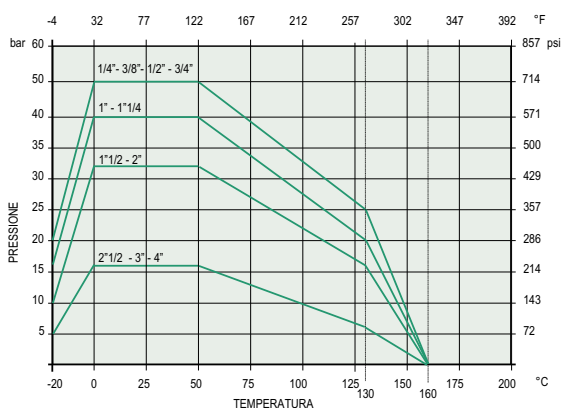
# IVR 954 EVERLAST FF

- Valvola a sfera a passaggio totale. Attacchi filettati Femmina-Femmina  
*Impieghi: impiantistica idraulica, installazioni idrotermosanitarie, acquedotti, aria compressa*
- Full bore ball valve. Female-Female thread ends  
*Application: hydraulic, sanitary, compressed air industries*
- Kugelhahn mit vollem Durchgang. Innengewinde-Innengewinde  
*Anwendung: Hydraulik, Sanitär, Druckluft-Industrie*
- Vanne à sphère à passage intégral. Taraudage Female-Female  
*Application: hydraulique, sanitaire, air comprimé*
- Полнопроходной шаровой кран – Соединения В-В  
*Применение: гидравлические, санитарных, сжатый воздух промышленности*

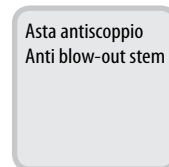
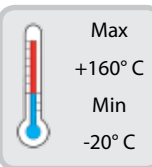


N	ЧАСТИ PART NAME	МАТЕРИАЛ MATERIAL	ПОКРЫТИЕ TREATMENT
1	Corpo - Body	Ottone - Brass CW 617N - UNI EN 12165/98	Nichelato - Nickel plated
2	Manicotto Body end	Ottone - Brass CW 617N - UNI EN 12165/98	Nichelato - Nickel plated
3	Seggio - Seat	PTFE	
4	Sfera - Ball	Ottone - Brass CW 617N - UNI EN 12165/98	Cromata - Chrome plated
5	Asta - Stem	Ottone - Brass CW 614N - UNI EN 12164/98	
6	O-Ring - O-Ring	HNBR	
7	Rondella - Seal	PTFE	
8	Premistoppa Packing nut	Ottone - Brass CW 614N - UNI EN 12164/98	
9	Maniglia - Handle	Acciaio - Steel	Rivest. PVC - Plastic coated
10	Dado - Nut	Acciaio - Steel	Zincato - Zinc plated

## ДАВЛЕНИЕ/ТЕМПЕРАТУРА - PRESSURE / TEMPERATURE



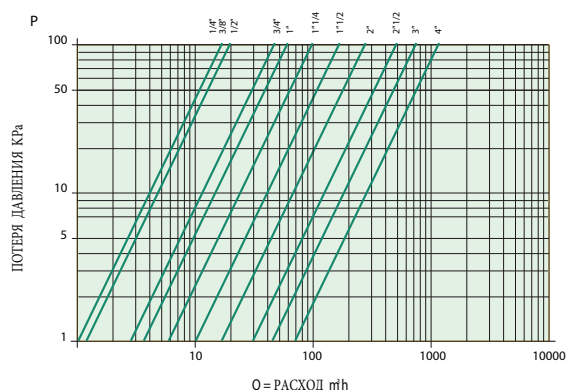
Size	Max Pressure (bar)
1/4" - 3/4"	50 bar
1" - 1 1/4"	40 bar
1 1/2" - 2"	32 bar
2 1/2" - 4"	16 bar



ACS



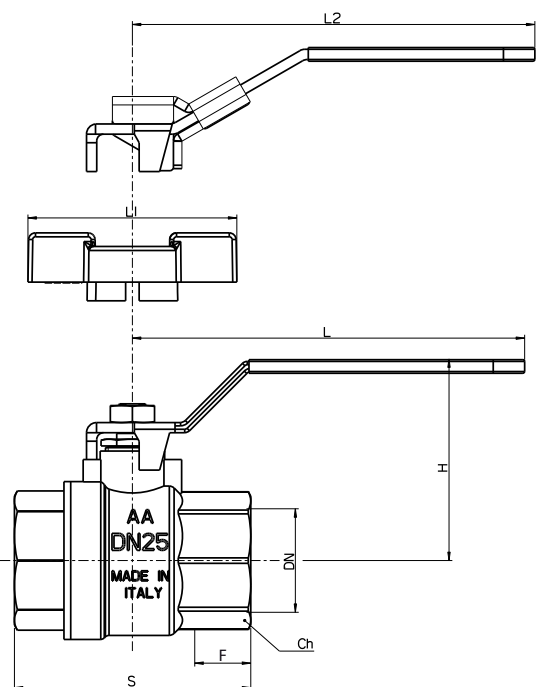
## ПРОПУСКНАЯ СПОСОБНОСТЬ - FLOW AND PRESSURE DROPS



## Соединение- Size KV

Соединение- Size	KV
1/4" - 10	15
3/8" - 10	15
1/2" - 15	20
3/4" - 20	45
1" - 25	60
1" 1/4 - 32	100
1" 1/2 - 40	170
2" - 50	265
2" 1/2 - 60	510
3" - 74	790
4" - 94	1230

## РАЗМЕРЫ- DIMENSIONS (mm)



Size	Ø	F	S	H	L	L1	L2	Ch
1/4"	10	9	42	35	80	50	95	17
3/8"	10	9	44	41	80	50	95	20
1/2"	15	11	50	54	92	50	95	25
3/4"	20	13	58	58	92	50	95	31
1"	25	15	70	66	115	61	120	38
1" 1/4	32	17	80	71	115		120	47
1" 1/2	40	18	91	80	150		150	54
2"	50	20.5	108	88	150		150	66
2" 1/2	60	20	132		240			84
3"	74	24	151		240			96
4"	94	27	179		250			123

## IVR 954

Codice Code	Mis. Size
195402007	1/4"
195403007	3/8"
195405007	1/2"
195407007	3/4"
195410007	1"
195412007	1" 1/4
195415007	1" 1/2
195420007	2"
195425007	2" 1/2
195430007	3"
195440007	4"

- Maniglia piatta
- Flat handle
- Flachgriff
- Poignée plate
- Плоская ручка



## IVR 954/A

Codice Code	Mis. Size
195402008	1/4"
195403008	3/8"
195405008	1/2"
195407008	3/4"
195410008	1"

- Maniglia farfalla
- Butterfly handle
- Flügelgriff
- Poignée papillon
- Вертушка



## IVR 954/LD

КОД Code	Соед. Size
195402750	1/4"
104503750	3/8"
104505750	1/2"
104507750	3/4"
104510750	1"
104512750	1" 1/4
104515750	1" 1/2
104520750	2"

- Maniglia piatta **lucchettabile**
- Flat handle **locking-device**
- eckförmig, Anschluss **locking-device**
- équerre, fixation **locking-device**
- угловой, соединение фиксатор **locking-device**

